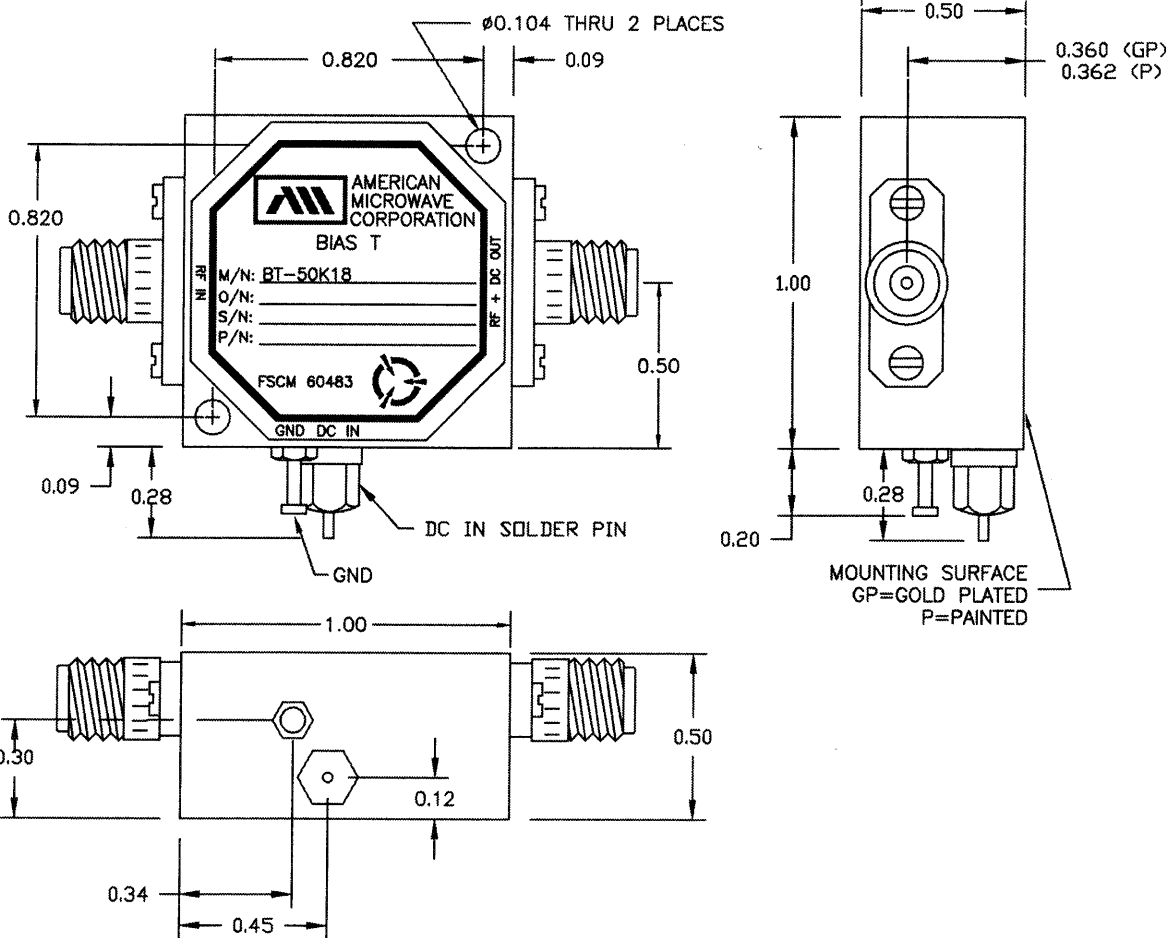
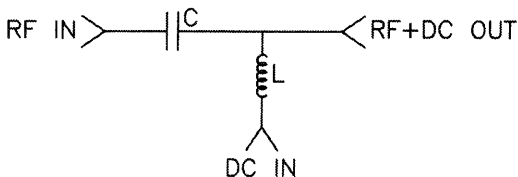


**DESCRIPTION:**

AMC MODEL BT-50K18 IS AN INDUCTIVE BIAS T, DESIGNED FOR 50 kHz TO 18 GHz FREQUENCY RANGE. IT IS USABLE TO 15 kHz.

**SPECIFICATIONS:**

- FREQUENCY: 50 kHz TO 18 GHz
- INSERTION LOSS: 0.75 dB TYPICAL (1.0 dB MAX.)
- VSWR: 1.75:1 TYPICAL (2.0:1 MAX.)
- ISOLATION: 60 dB MIN. (10 MHz - 18 GHz)
- SERIES RESISTANCE: 2.5 OHMS MAX.
- MAX. DC VOLTAGE: 15 V
- MAX. DC CURRENT: 200 mA
- SIZE: 1.00" (L) x 1.00" (W) x 0.50" (H)
- WEIGHT: 1.0 OZ. TYPICAL



M/N = MANUFACTURER PART NUMBER  
 O/N = OPTION NUMBER  
 S/N = SERIAL NUMBER  
 P/N = PART NUMBER

**ENVIRONMENTAL RATINGS**

- TEMPERATURE: -55°C TO +85°C (OPERATING)  
-65°C TO +125°C (STORAGE)
- HUMIDITY: MIL-STD-202F, METHOD 103B COND. B
- SHOCK: MIL-STD-202F, METHOD 213B COND. B
- VIBRATION: MIL-STD-202F, METHOD 204D COND. B
- ALTITUDE: MIL-STD-202F, METHOD 105C COND. B
- TEMPERATURE CYCLE: MIL-STD-202F, METHOD 107D COND. A

ALL DIMENSIONS ARE IN INCHES  
 TOLERANCES:

- X.XX ±0.020
- X.XXX ±0.010

NOTE: THE ABOVE SPECIFICATIONS ARE SUBJECT TO CHANGE OR REVISION

REVISIONS			DATE	APPROVED
ZONE	REV.	DESCRIPTION		
-	-	ORIGINAL RELEASE	7/7/99	

APPROVALS		DATE	AMERICAN MICROWAVE CORPORATION FREDERICK, MARYLAND		
DRAWN		7/7/99	TITLE		
CHECKED			OUTLINE DRAWING		
ISSUED			BT-50K18		
SIZE	FSCM NO.	DWG NO.	REV.		
A	60483	100-4896-1	-		
SCALE N/S		SHEET		1 of 2	